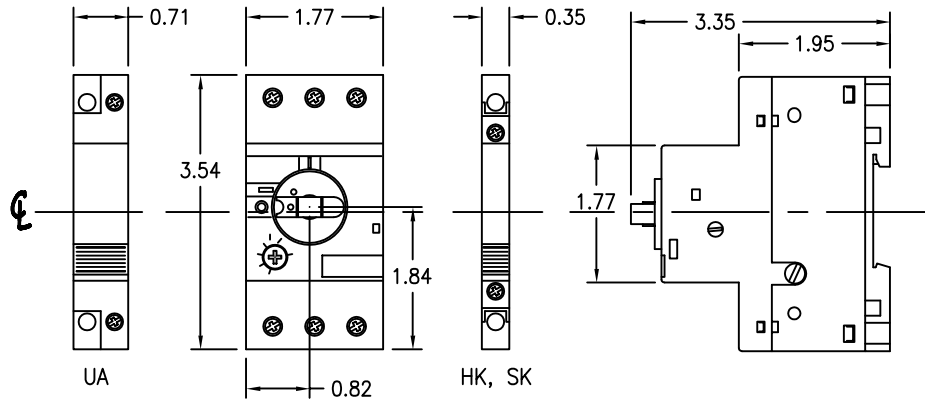


Type MS116

Approximate dimensions

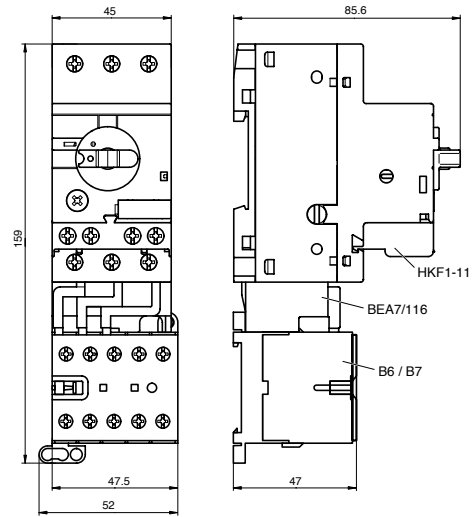
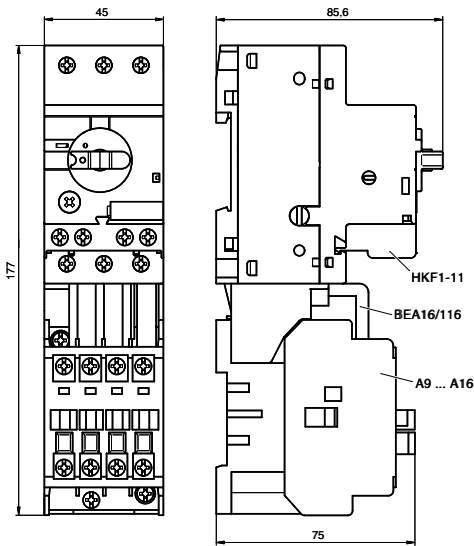
MS116

5

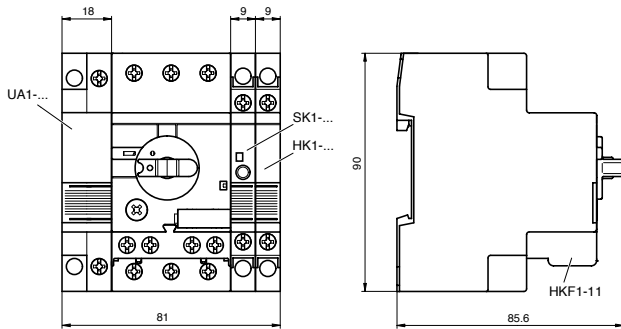


MS116 — mounted with A9 - A16 contactor

MS116 — mounted with B6/B7 minicontactor



MS116 — mounted with UA1..., SK1..., HK1..., HKF1-11



Type MS116

Approximate dimensions

IB116 Y/G

